

LAWS Stained Glass Studios, Inc.

Technical Drawings for Aluminum Frames



200 series dark bronze aluminum frames made for New Allen AME Church in Exmore, VA

Laws Stained Glass Studios, Inc. provides extruded aluminum frames for various applications of leaded glass windows, faceted glass windows, and protective covering for stained glass windows. Call us to discuss the appropriate framing for your particular needs!

Making churches beautiful since 1946!

Laws Stained Glass Studios, Inc. • 145 Ebenezer Lane, Statesville, NC 28625
800-820-1292 • 704-876-3463 • 704-876-4238 fax
www.lawsstainedglass.com • info@lawsstainedglass.com



STAINED GLASS STUDIOS
STATESVILLE, NC

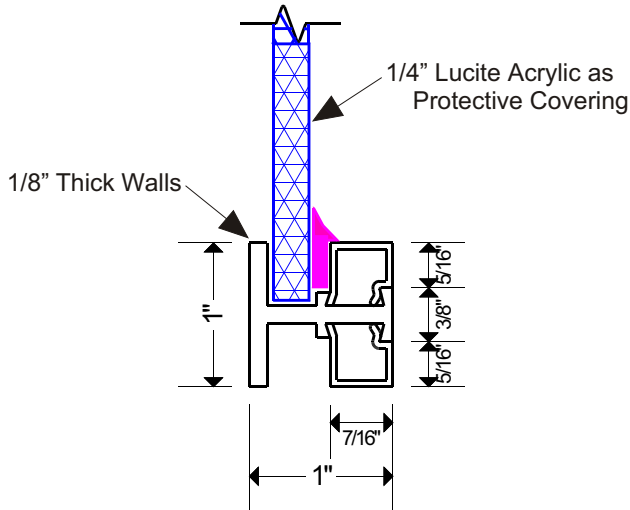
Laws Stained Glass Studios, Inc.

145 Ebenezer Lane, Statesville, NC 28625
Phone: 704-876-3463 Fax: 704-876-4238
www.lawsstainedglass.com
Email: info@lawsstainedglass.com

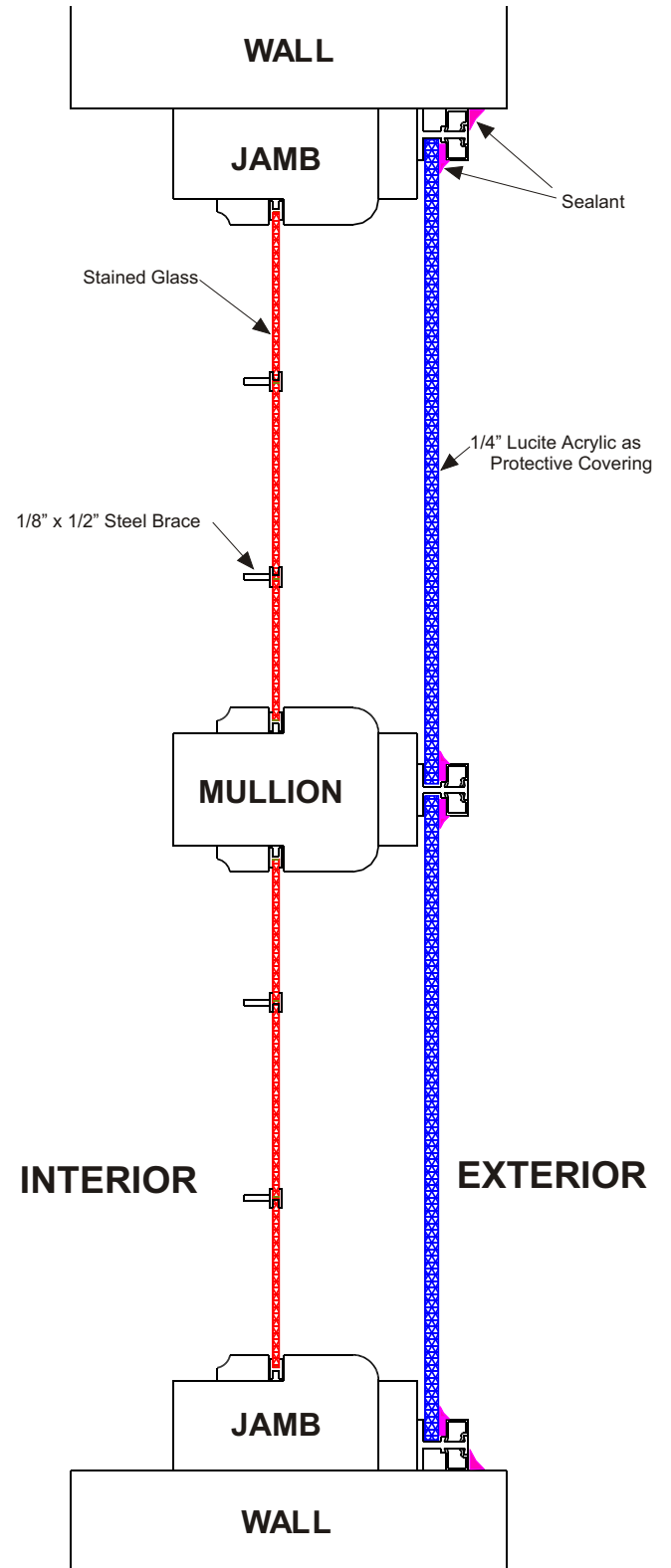
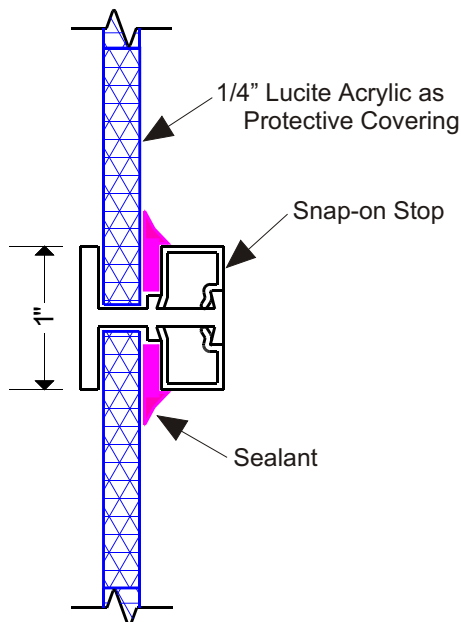
50 Series T-Bar

with 1/4" Lucite Acrylic as Protective Covering

PERIMETER FRAME



MUNTIN





STAINED GLASS STUDIOS
STATESVILLE, NC

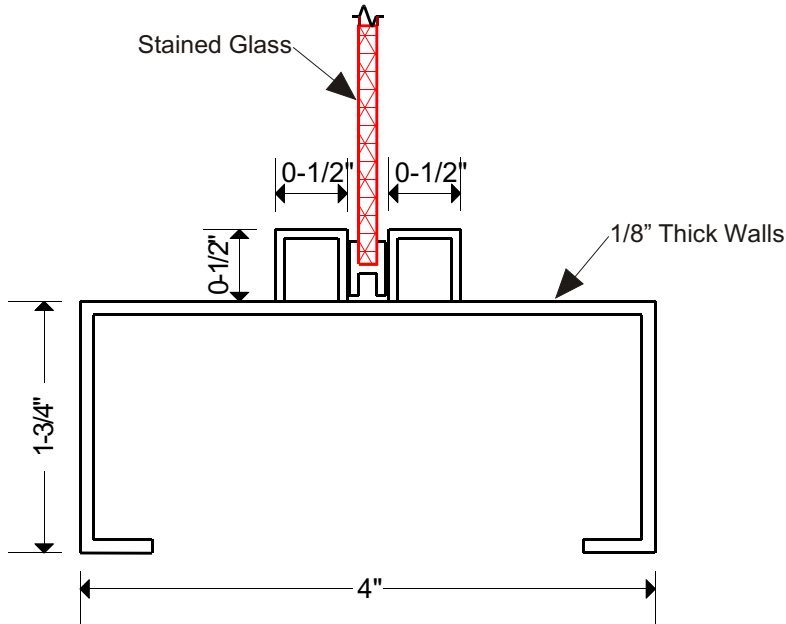
Laws Stained Glass Studios, Inc.

145 Ebenezer Lane, Statesville, NC 28625
Phone: 704-876-3463 Fax: 704-876-4238
www.lawsstainedglass.com
Email: info@lawsstainedglass.com

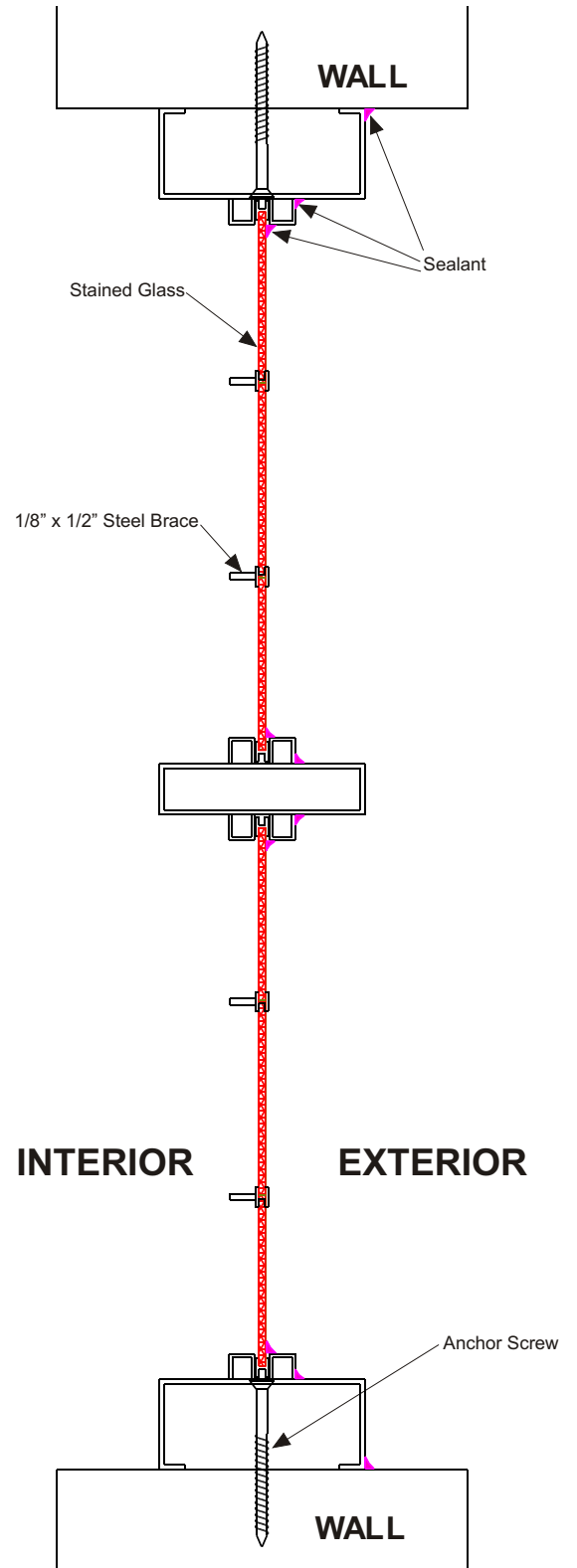
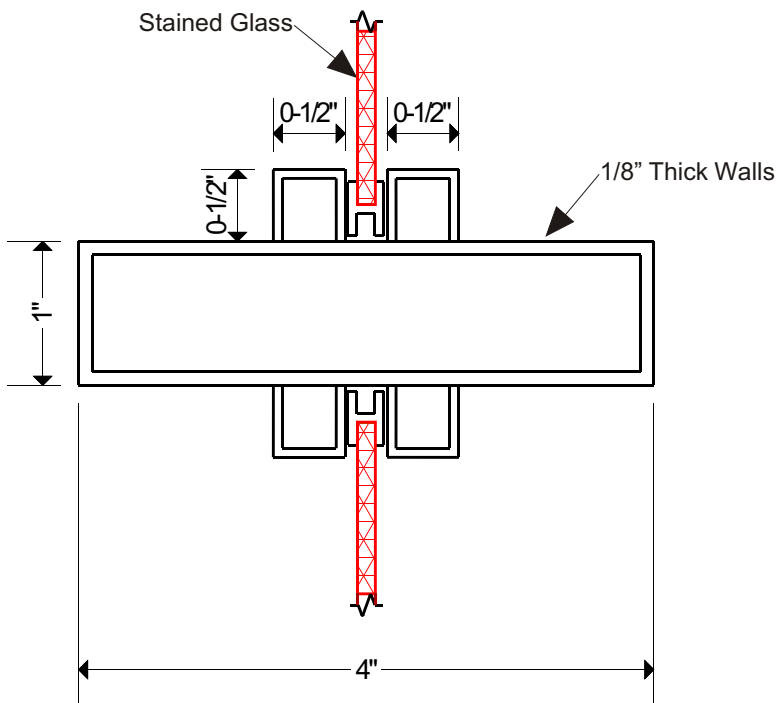
100 Series

with only Leaded Stained Glass

PERIMETER FRAME



MUNTIN





STAINED GLASS STUDIOS
STATESVILLE, NC

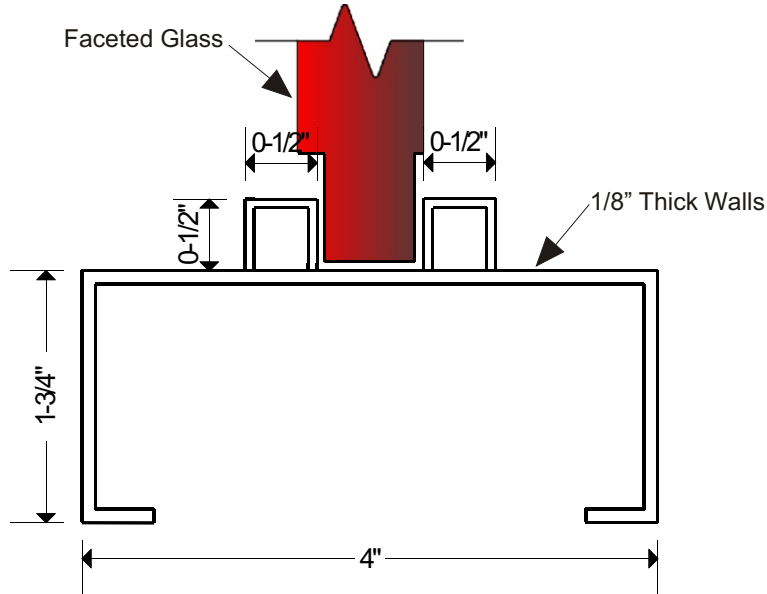
Laws Stained Glass Studios, Inc.

145 Ebenezer Lane, Statesville, NC 28625
Phone: 704-876-3463 Fax: 704-876-4238
www.lawsstainedglass.com
Email: info@lawsstainedglass.com

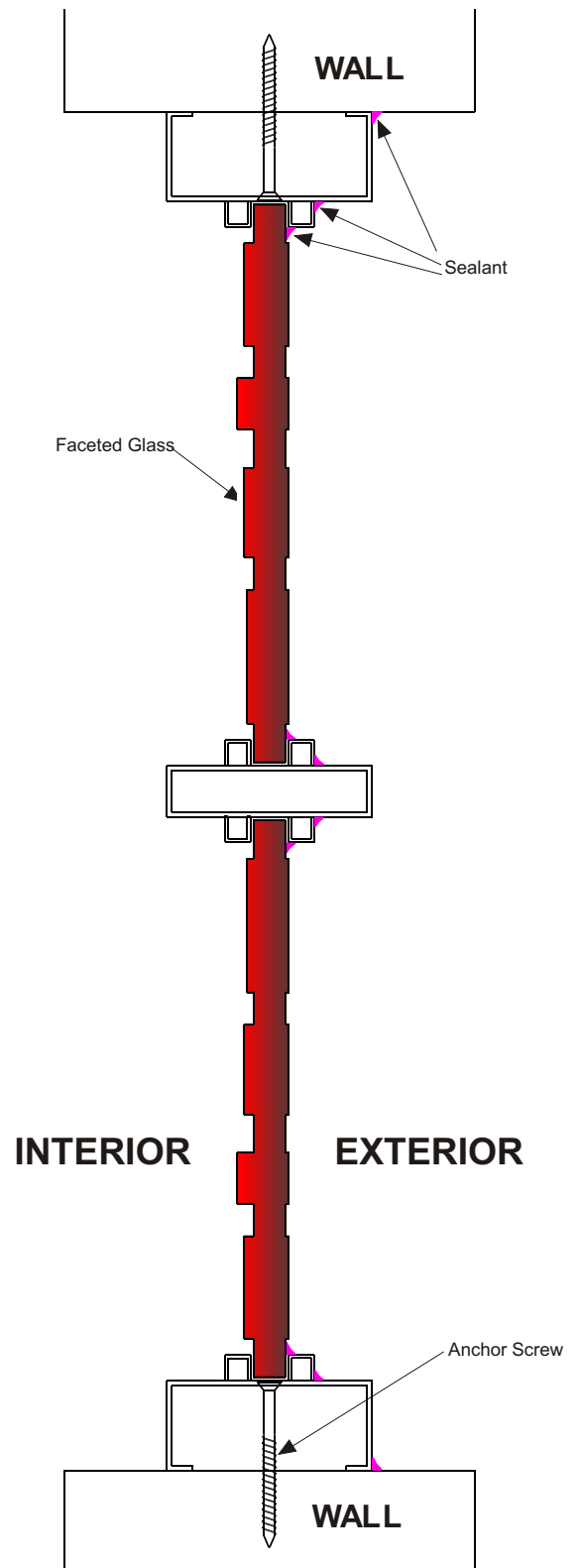
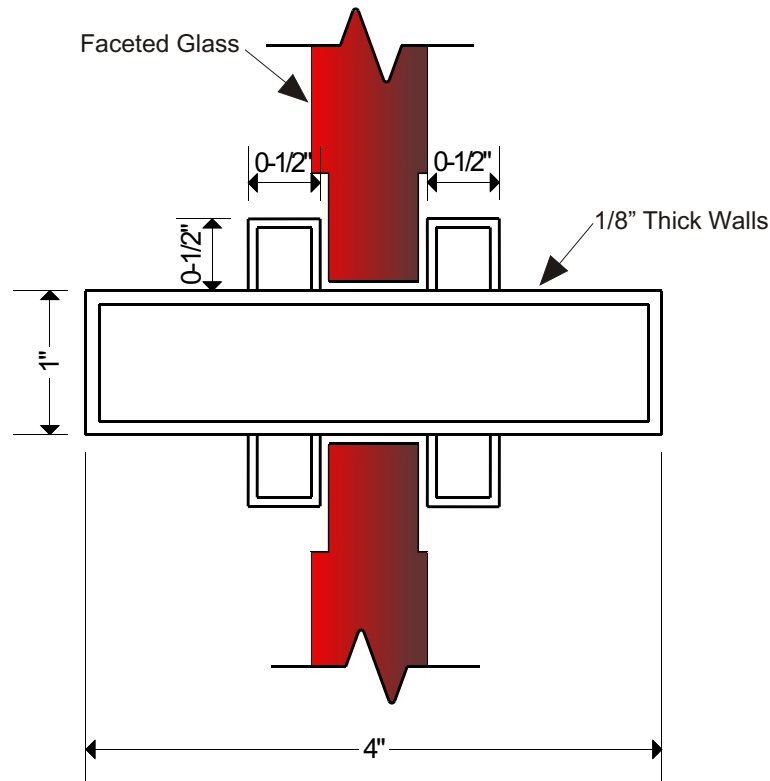
100 Series

with Faceted Glass

PERIMETER FRAME



MUNTIN





STAINED GLASS STUDIOS
STATESVILLE, NC

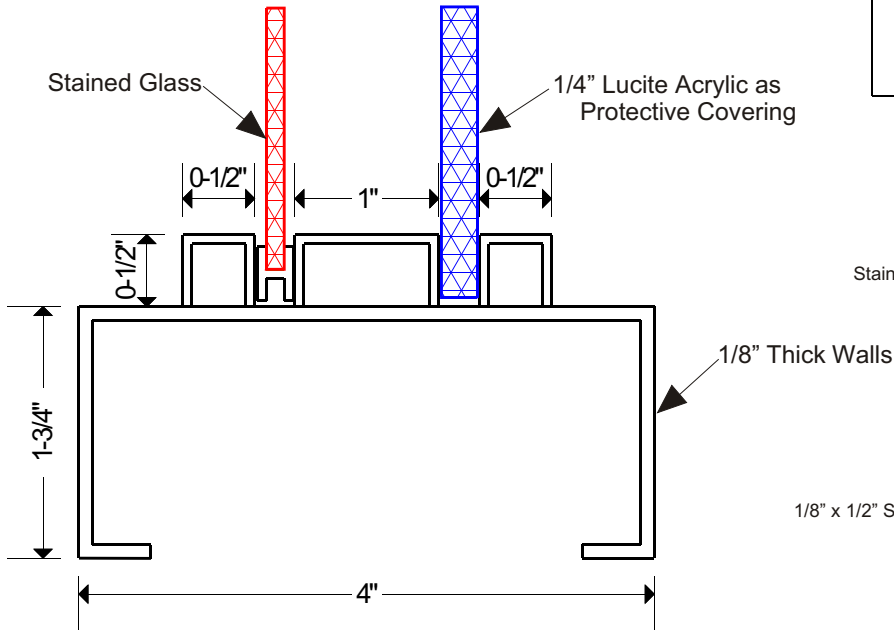
Laws Stained Glass Studios, Inc.

145 Ebenezer Lane, Statesville, NC 28625
Phone: 704-876-3463 Fax: 704-876-4238
www.lawsstainedglass.com
Email: info@lawsstainedglass.com

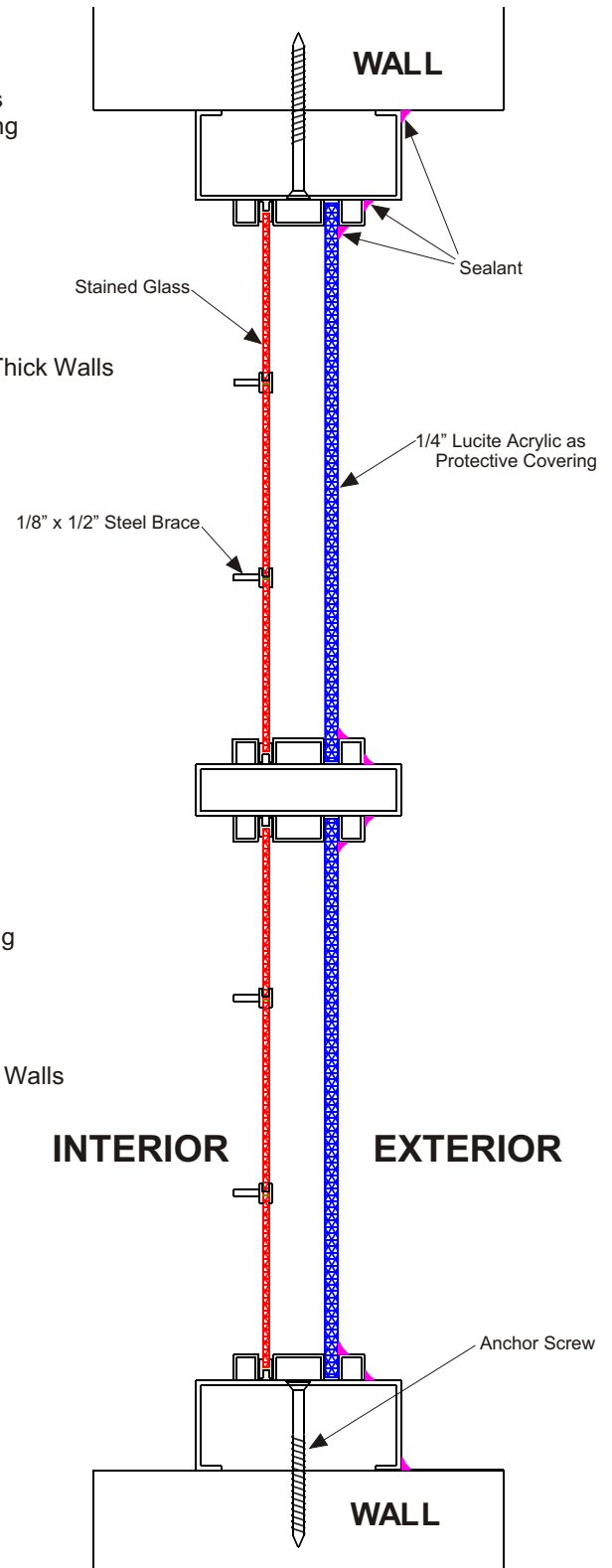
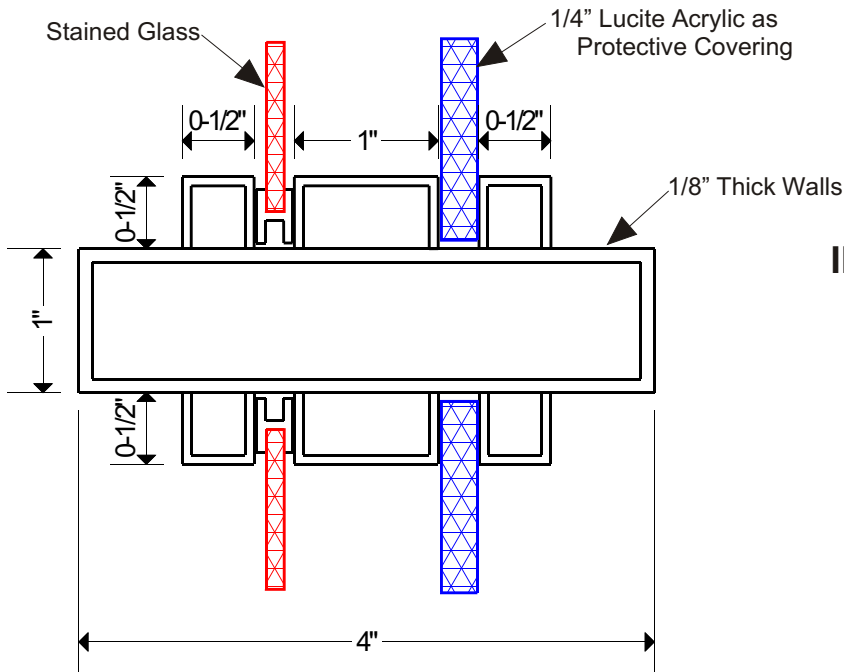
200 Series

with 1/4" Lucite Acrylic as Protective Covering

PERIMETER FRAME



MUNTIN





STAINED GLASS STUDIOS
STATESVILLE, NC

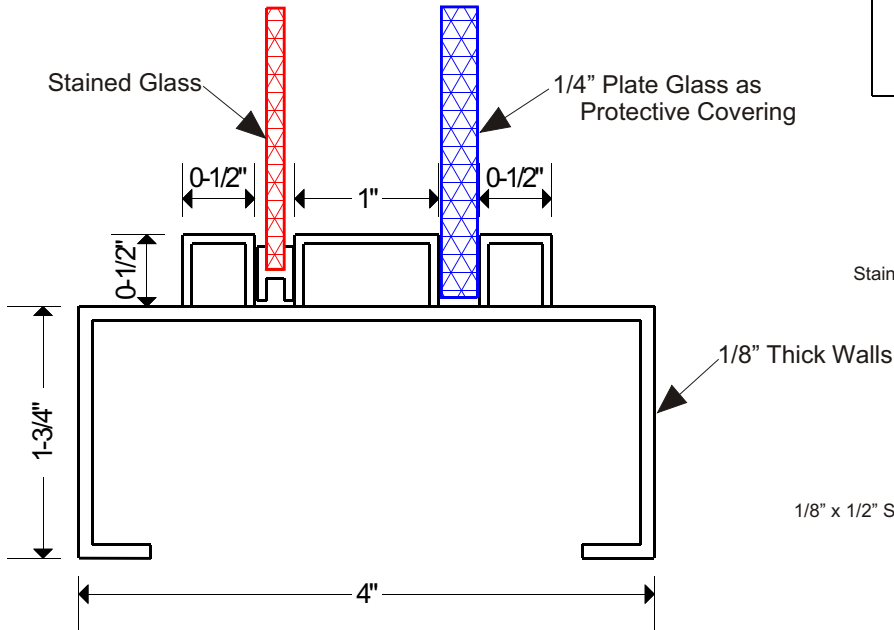
Laws Stained Glass Studios, Inc.

145 Ebenezer Lane, Statesville, NC 28625
Phone: 704-876-3463 Fax: 704-876-4238
www.lawsstainedglass.com
Email: info@lawsstainedglass.com

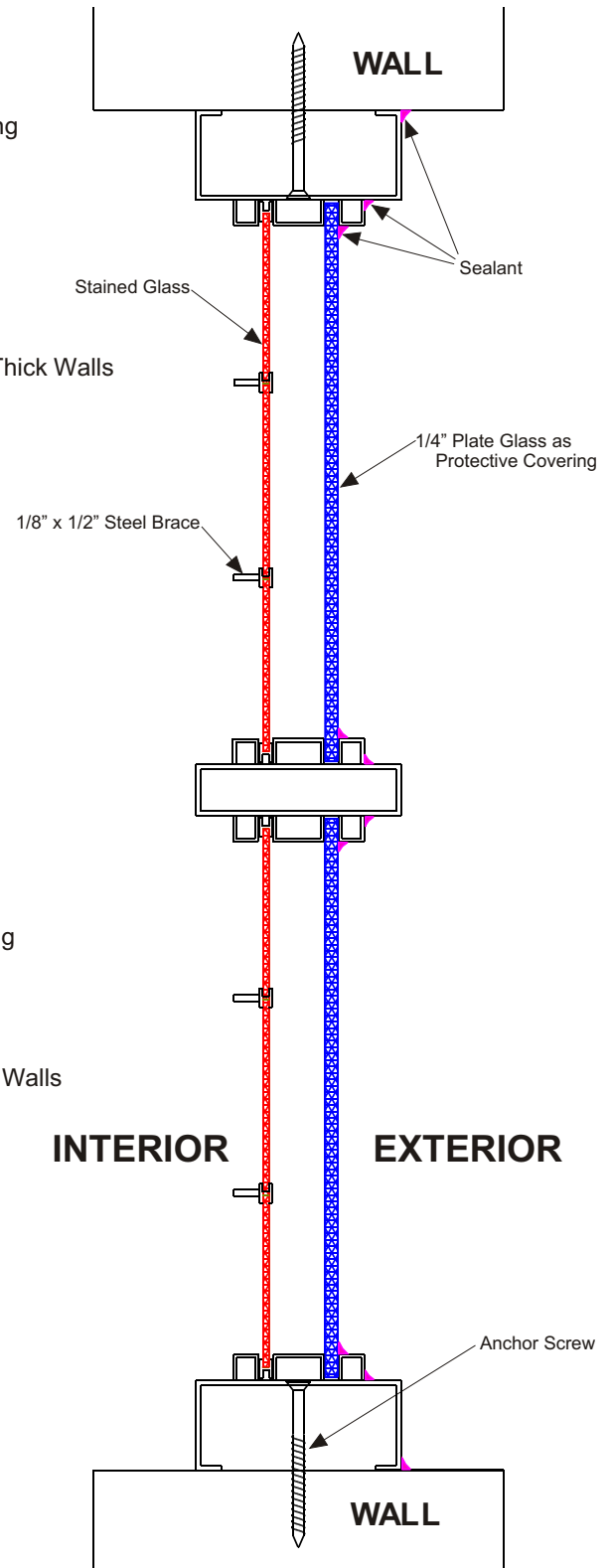
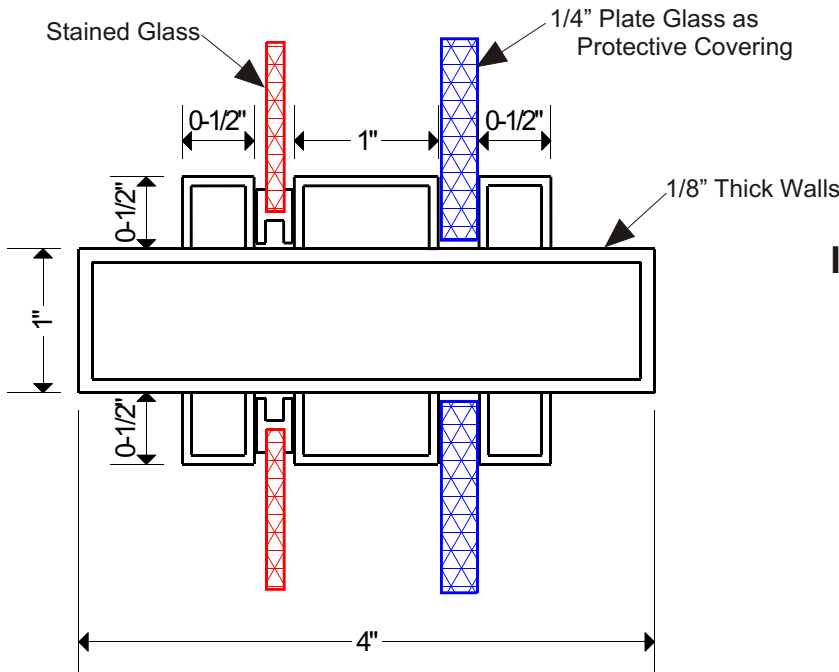
200 Series

with 1/4" Plate Glass (Annealed or Tempered)

PERIMETER FRAME



MUNTIN





STAINED GLASS STUDIOS
STATESVILLE, NC

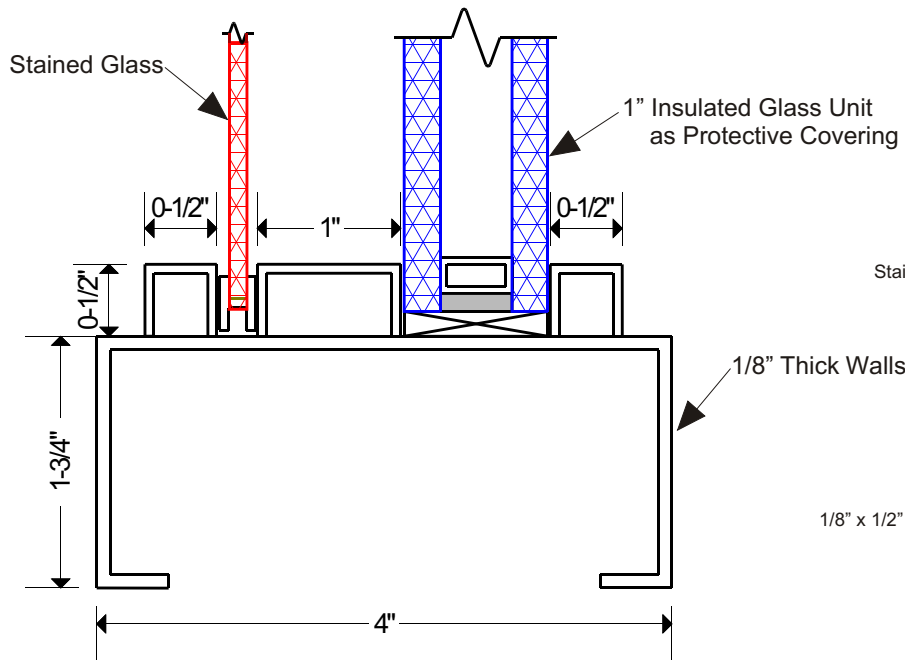
Laws Stained Glass Studios, Inc.

145 Ebenezer Lane, Statesville, NC 28625
Phone: 704-876-3463 Fax: 704-876-4238
www.lawsstainedglass.com
Email: info@lawsstainedglass.com

200 Series

with 1" Insulated Glass Unit as Protective Covering

PERIMETER FRAME



MUNTIN

